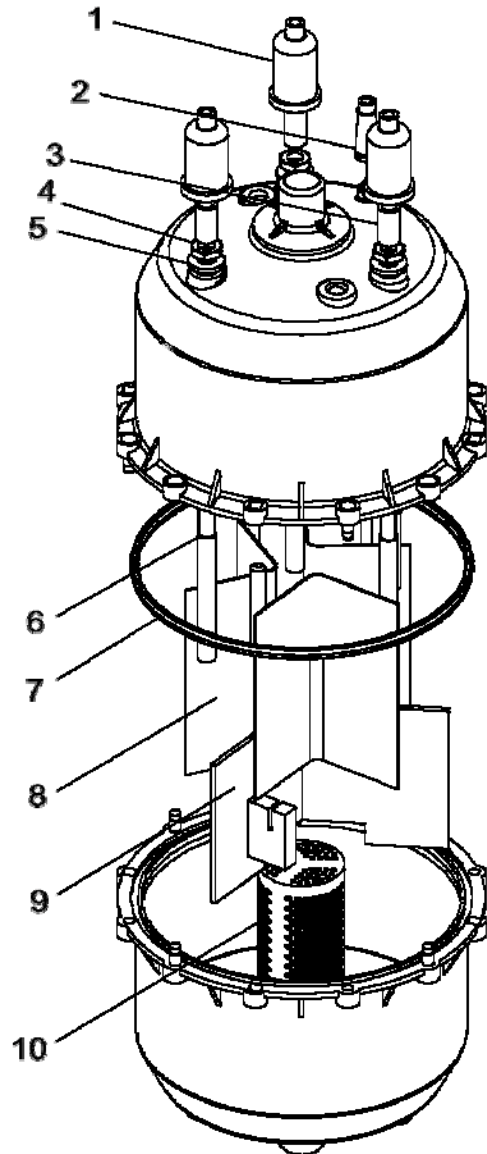


Electrovap MC - Cylinder



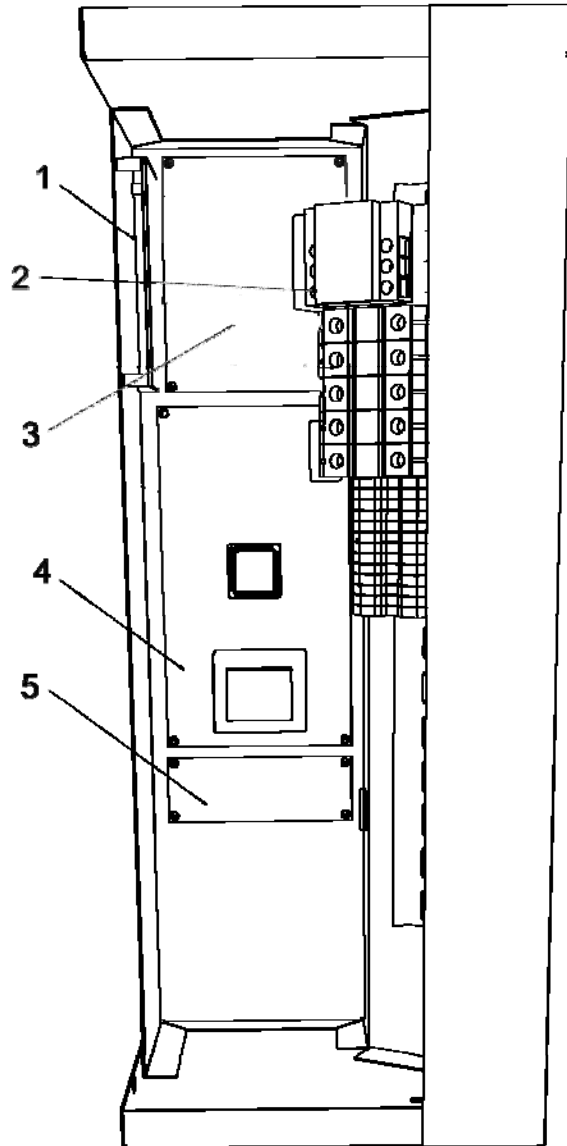
| No | Model | Item No | Description | £/each ex VAT |
|-----|-----------|---------------|--|---------------|
| 1* | All | 42310 | Electrode Boot* | POA |
| 2* | All | 41902 | HWL Cable and Boot* | POA |
| 3* | All | 41913 | Electrode Cable and Boot* | POA |
| | | 41920 | Electrode Cable Set (3 cables inc. boots)* | POA |
| 4 | All | 41906 | Electrode Nut | POA |
| 5 | All | 41905 | Fibre Washer | POA |
| 6 | All | 41919 | High Water Level Electrode | POA |
| 7* | ELMC5-10 | 42106 | Cylinder Gasket* | POA |
| | ELMC15-90 | 42114 | | POA |
| 8* | ELMC5 | ELECSET/5 | Electrode Kit* | POA |
| | ELMC8 | ELECSET/8 | | POA |
| | ELMC10 | ELECTSET/10 | | POA |
| | ELMC15-20 | ELECSET/15-20 | | POA |
| | ELMC20-90 | ELECSET/20-96 | | POA |
| 9* | All | 41915 | Electrode Divider* | POA |
| 10* | ELMC10 | 42107 | Cylinder Strainer* | POA |
| | ELMC15-90 | 42115 | | POA |
| | ELMC5 | DIS/5 | Disposable Cylinder | POA |
| | ELMC10 | DIS/10 | | POA |
| | ELMC20-90 | DIS/20-96 | | POA |
| | ELMC5 | CYL/5 | Cleanable Cylinder | POA |
| | ELMC10 | CYL/10 | | POA |
| | ELMC20-90 | CYL/20-96 | | POA |

* - Consumable items recommended to be kept on site

Standard 2-3 day Mainland UK delivery is charged at 3% order value subject to minimum delivery charge
 . Overseas delivery £POA

All prices are valid until 31/03/09

Electrovap MC – Electrical Compartment

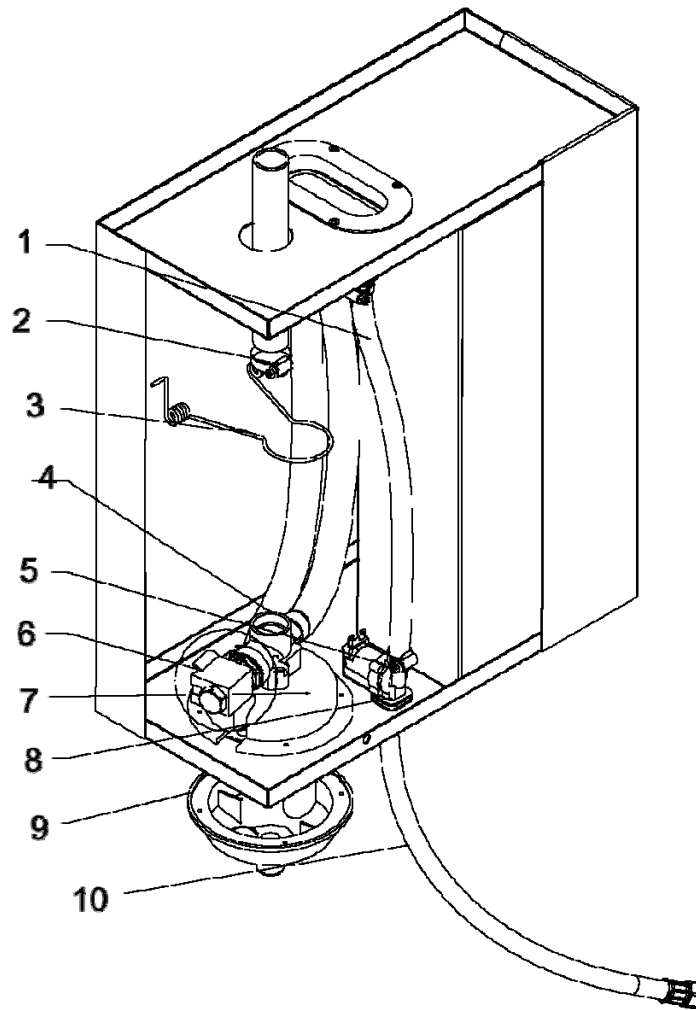


| No | Model | Item No | Description | £/each ex VAT |
|------------|------------------------------|-----------------------|-----------------------------|---------------|
| 1 | All ELMC | 30301/MC | ELMC Digital Display | POA |
| 2 | ELS 5-15 (EL2S 5-10) | 21300/MC | Contactor | POA |
| | ELS 20 25 40 50 (EL2S 45 60) | 21301/MC | | POA |
| | ELS 32 64 96 (EL2S 30 60 90) | 21302/MC | | POA |
| 3 | ELMC 45-60 | 30307/MC | Auxiliary Board 2 Cylinder | POA |
| | ELMC 90 | 30309/MC | Auxiliary Board 3 Cylinder | |
| 4 | ELS 5-32 (EL2S 5 10 20 30) | 30302/2 | Main PCB | POA |
| | ELS 40-64 (EL2S 45 60) | 30303/2 | | POA |
| | ELS 96 (EL2S 90) | 30304/2 | | POA |
| | ELMC8 STEAMBATH | ELMCSBPCB8 | Main PCB for Steambath only | POA |
| | ELMC10 STEAMBATH | ELMCSBPCB10 | | |
| | ELMC15 STEAMBATH | ELMCSBPCB15 | | |
| | ELMC20 STEAMBATH | ELMCSBPCB20 | | |
| | ELMC30 STEAMBATH | ELMCSBPCB30 | | |
| | ELMC40 STEAMBATH | ELMCSBPCB40 | | |
| | ELMC5 STEAMBATH | ELMCSBPCB5 | | |
| | ELMC50 STEAMBATH | ELMCSBPCB50 | | |
| | ELMC60 STEAMBATH | ELMCSBPCB60 | | |
| | ELMC 90 STEAMBATH | ELMCSBPCB90 | | |
| | EL2S (not shown) | 00314S | Proportional PCB | POA |
| | ELMC 5-30 | 30302/MC | Main PCB | POA |
| ELMC 45-90 | 30305/MC | Main PCB 2/3 Cylinder | POA | |
| All ELMC | 30301/MC | ELMC Digital Display | POA | |
| 5 | All ELMC | 30308/MC | ELMC Remote Board | POA |

Standard 2-3 day Mainland UK delivery is charged at 3% order value subject to minimum delivery charge . Overseas delivery £POA

All prices are valid until 31/03/09

Electrovap MC – Panel



| No | Item No | Description | £/each ex VAT |
|----|-------------|----------------------------------|------------------|
| 1 | 42001 | Water feed hose black 10mm | POA |
| | 42003 | Water feed hose black 15mm | POA |
| 2 | 42901 | Jubilee clip 40mm | POA |
| 3 | 41802 | Bottle retaining clip | POA |
| 4* | 42208L | Drain valve body | POA |
| | 42207L* | Drain valve o-ring* | POA |
| 5 | 42903 | Jubilee clip 25mm | POA |
| 6 | 42202LB | Drain valve solenoid | POA |
| 7 | 42301EL/ELS | Drain cup upper half | POA |
| 8* | 42427* | Water inlet valve* | POA |
| 9* | 42419* | Inlet valve solenoid* | POA |
| | 42302 | Drain cup lower half | POA |
| 10 | 42604 | Water inlet hose (WRAS approved) | POA |
| | 42605 | Water inlet hose washers | POA |
| | HOSE | Water inlet hose | POA |

* - Consumable items recommended to be kept on site

Standard 2-3 day Mainland UK delivery is charged at 3% order value
subject to minimum delivery charge. Overseas delivery £POA

All prices are valid until 31/03/09